

IGEX
count on our value

IGEX
COUNT ON OUR VALUE

INSTACHANGE™ (OEM)

Automatic Coin Dispenser

Intelligent, reliable coin dispensing

The INSTACHANGE (OEM) is a truly revolutionary automatic cash dispenser which represents a major design breakthrough in coin dispensing technology. Its ground-breaking design means an increase in coin capacity of up to 30% compared with competitor dispensers.



INSTACHANGE™
(OEM)

INSTACHANGE™ (OEM)

Automatic Coin Dispenser

Revolutionary universal design

The innovative design of the INSTACHANGE (OEM) keeps moving parts to a minimum resulting in a lower cost of ownership and increased reliability. The patented and unique coin cassette shape provides greater capacity allowing INSTACHANGE (OEM) to run longer requiring less employee support. The universal base supports a variety of coin set cassettes making it easy to maximise the use of your equipment and minimise service support variations.

Intelligent functionality

INSTACHANGE (OEM) automatically dispenses the right amount of change back to your customer. It will always dispense the least amount of coin required, unless this functionality is switched off. If selected, INSTACHANGE (OEM) will intelligently substitute for low channels, further extending the running time of your machine.

Ease of use

The shape of the coin cassette makes it easy to transport and store. The INSTACHANGE (OEM) can be positioned in any direction so that the coin cup is within easy reach of the customer. The coin cup can also be easily removed.

When INSTACHANGE (OEM) requires topping up, coin is easily loaded into the coin cassette while it sits either on the universal base or flat on a table. Balancing is aided through the use of colour coded calibration labels.

Interfaces

Each unit is delivered with standard software drivers (OPOS, JPOS, Linux, JXFS) allowing INSTACHANGE (OEM) to quickly interface with your self service application.

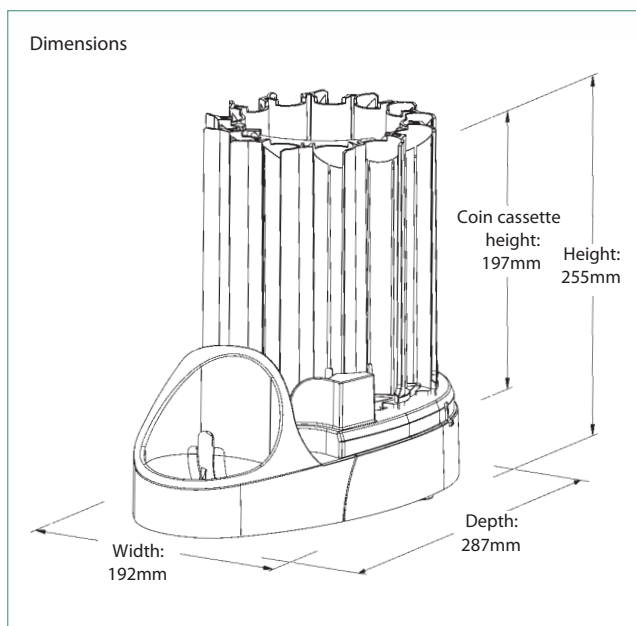
The INSTACHANGE (OEM) is designed to comply with leading International Standards such as RoHS, UL and CE to allow for final approval when installed in complete systems.

De La Rue has over 40 years experience in the OEM business. Our mechanisms contain world class dispensing technology. Worldwide service and support is provided through our De La Rue OEM Customer Support Group.

Technical specification

- Media capability
The INSTACHANGE (OEM) will handle the following currencies:
 - British Sterling
 - Canadian Dollar
 - Euro
 - American DollarPlease contact us for availability of coin set cassettes for other currencies
- Mounting hardware
Installation template and bolt down kit provided as standard
- Additional cassettes
Can be ordered from De La Rue for a quick exchange
- Weight (without coins)

Base, cassette (with cup):	2.8kg (6.2lbs)
Base, cassette (without cup):	2.7kg (5.9lbs)
Cassette only:	0.7kg (1.6lbs)
- Communication interface
RS232 or USB host communication
- Power supply requirements
12V DC, 3.2A
- Operating environment
Temperature: 5 to 50°C, 41 to 122°F
Relative humidity: 10 to 90% non-condensing



IGEX
Technologies Ltd.

Kimonos 43A, 3095
Limassol, Cyprus

Tel/fax: +357 2693 14 34

www.igex.net

IGEX
COUNT ON OUR VALUE